

HT-KC15

series model
Linear Actuator

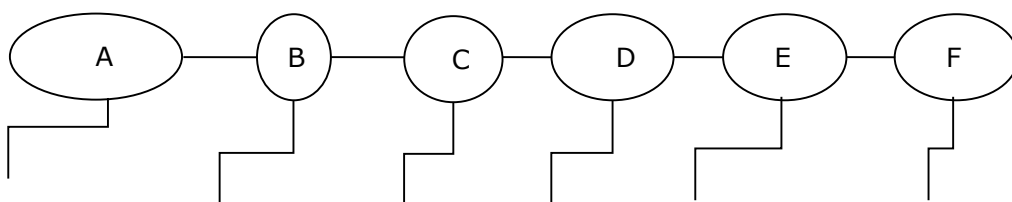


Spec:

Type	HT-KC15 Linear actuator
Input option	6VDC / 12VDC
Max Load	188N=18KG
Max Speed	150mm/sec=6inch/sec
Limited switch	With, Inner
Hall sensor	Options
Inner tube material	Aluminum alloy
Duty cycle	10%
Stroke options	10,17.5, 21, 25, 30, 50, 75, 100mm
Noise	Less than 55dB
Color	Black
Certificate	CE,Rohs
Operation temperature	-25°C~+60°C

Customized order example:

A — B — C — D — E — F — G



Input Load Unload speed Stroke Retracted length Cable length

G: customer's special requirement

Type	Load: N	Static load: N	Unload speed:MM/S	Duty cycle:%	Max Current 6V	Max current 12V
KC15-5	188	235	5	10	3.0	1.5
KC15-7	128	160	7	10	3.2	1.6
KC15-9.5	96	120	9.5	10	2.8	1.4
KC15-15	64	80	15	10	3.0	1.5
KC15-30	32	40	30	10	3.0	1.5
KC15-50	19.2	24	50	10	3.2	1.6
KC15-150	6.4	8	150	10	3.0	1.5

Drawing:

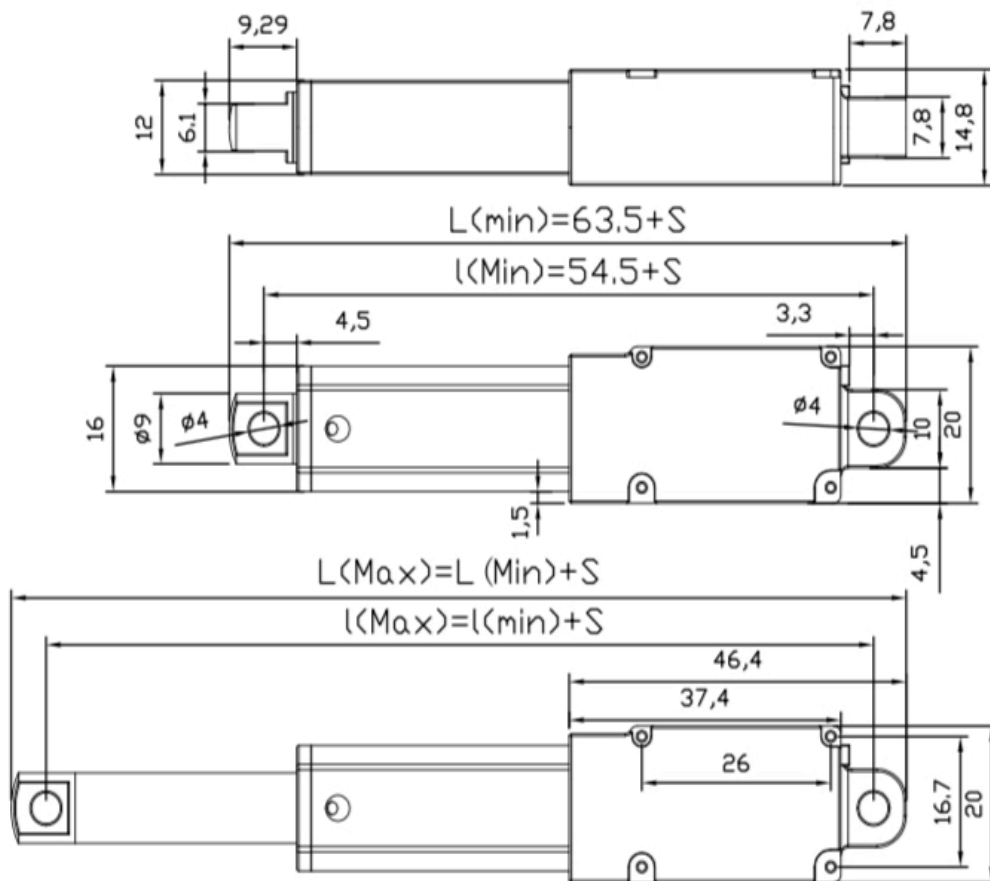
$L_{min} = 55.0\text{mm} + \text{Stroke}$

L_{min} means the length when linear actuator 100% fully retracts, meanwhile, it will touch the tail limited switch, stop automatically.

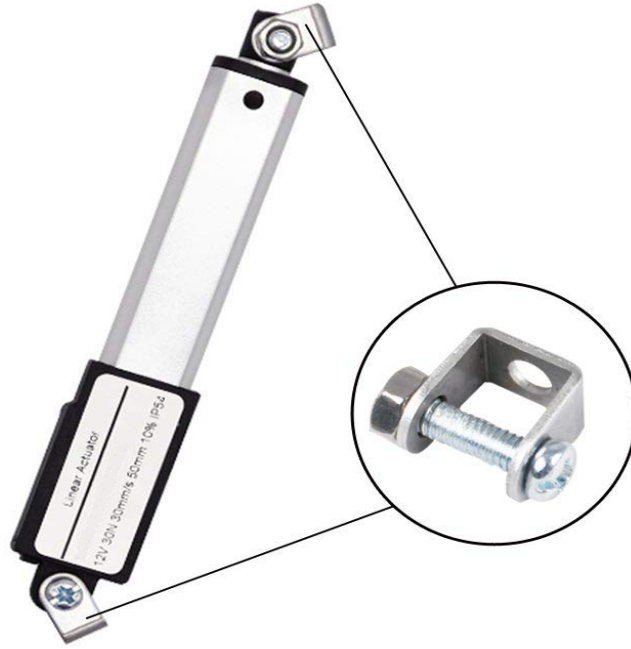
$L_{max} = L_{min} + 2 * \text{Stroke}$

L_{max} means the length when linear actuator 100% fully extends, meanwhile, it will touch the head limited switch, stop automatically.

The head and tail hole Dia is 4MM.



Accessories:



Bracket Size:

